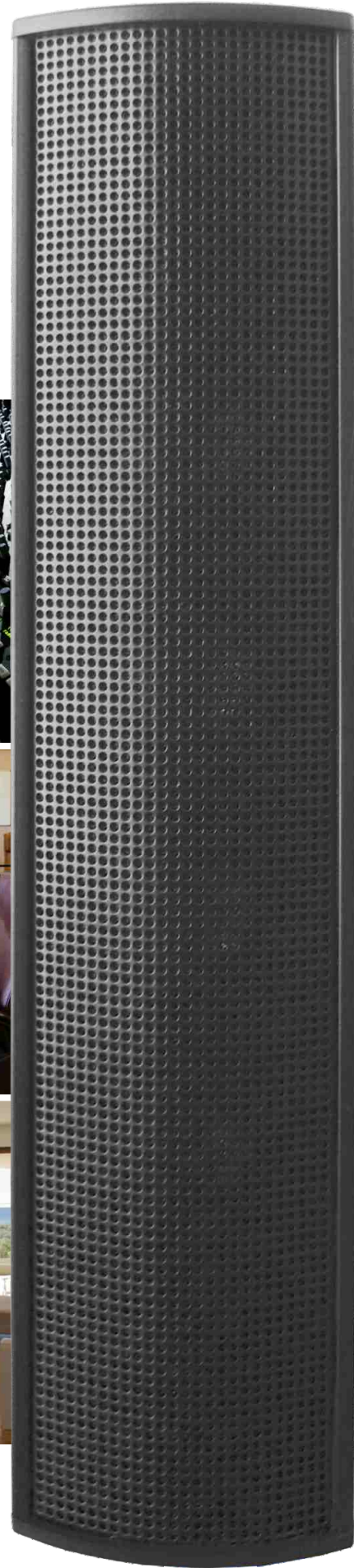


PHA

PRAGMATIC HIGH-PERFORMANCE ARRAYS

COMMERCIAL | PROFESSIONAL | RESIDENTIAL



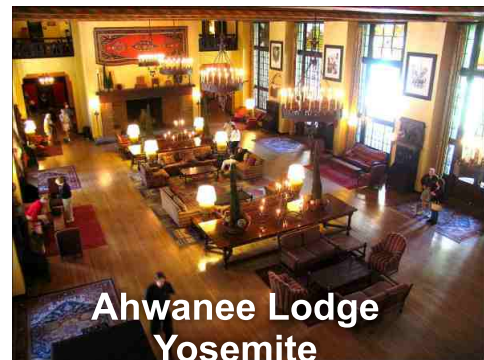
DAC Defined Acoustical Coverage

Introducing a new era in line-array-speaker-technology, based on years of meticulous research led by Pragmatic engineers, the PHA Series line array columns with Defined Acoustical Coverage breaks new ground in performance, versatility, and cost.

Bring focused sound to any project in a sleek unobtrusive package. With a tiny 2" x 2" footprint, the PHA can fit seamlessly into any display, kiosk, entertainment venue etc.. We offer 4, 8, 16 and 25 driver versions with different widths, depending on how much focus you need and distance from the speaker.

The PHA, array speakers, offer excellent acoustical coverage control focusing sound so that the sound level is greater in the coverage area than it is just a step to the side. They're the most precise in the industry.

The PHA directional speakers ensure audio is played where you want it. Even in the noisiest environments you can use a PHA focused speaker to deliver crystal clear audio to your target audience.



PHA Line Array Speakers

The **Loudest**, **Most Efficient**
and **Compact** Speakers to
Deliver Your Message.

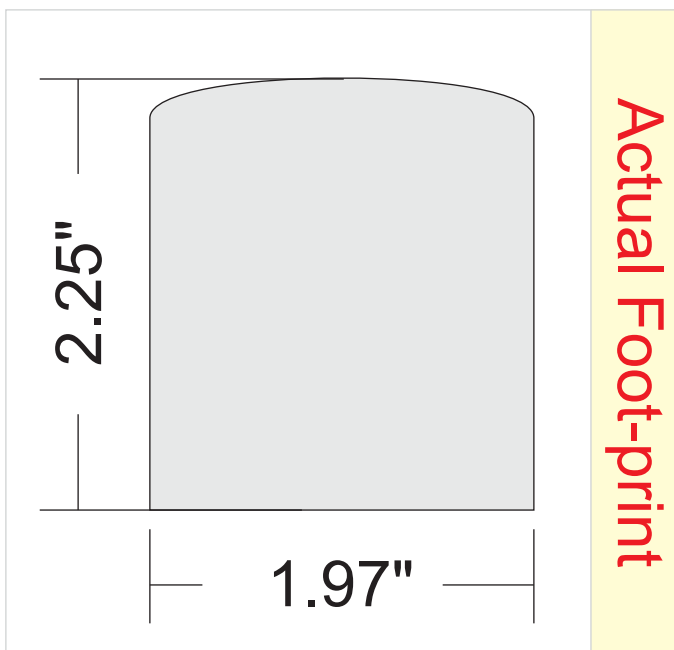


Table of Contents

| | |
|-------------------------------------|---|
| About PHA Speakers | 2 |
| T.O.C. | 3 |
| Features and Benefits | 4 |
| Specifications | 5 |
| Dispersion Plots | 6 |
| Additional Pragmatic Products | 8 |

Where PHA are in use

SPORTS

arenas, tennis courts, golf courses, **stadiums**, swimming centers,

D-O-O-H

trains stations, **airports**, light-rail stations, shuttles, **subway stations**, bus stations

CORPORATE

Conference rooms, demonstrations, **assemblies**

HEALTHCARE

hospitals, pharmacies, nursing care, doctors offices

EDUCATIONAL

PAS, assemblies, demonstrations, **talent contests**

ENTERTAINMENT

live theater, home theater, **casinos**, amusement parks, auditoriums

PARKS & RECREATION

Yachts, dune buggies, RVs, **jet skis**, ski boats, Outdoor gardens, **recreation centers**, sports and health clubs

WORSHIP

Temples, Churches, Mosques, synagogues

HOSPITALITY

hotels, restaurants, cruise ships, theme parks, **transportation**

RETAIL

grocery stores, whole sale, Point-of-Sale terminals, department stores

Features & Benefits

- Sleek line array design, with exceptional dispersion control across long distances and impeccable clarity
- Compact 2" x 2" foot-print for surface-mounted, non-obtrusive installations
- Energy efficient
- Available in black or white for easy decor integration
- Multiple amplification and signal distribution options such as HideAway™ Series amplifiers and PADS™ systems
- Designed to compliment flat-panel LCD and Plasma TVs
- Extruded aluminum enclosure for natural heat dissipation and protection against harsh environments
- CE compliant
- Spring loaded terminals or with pre-installed speaker wires

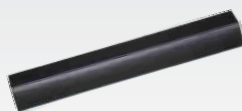


Specifications



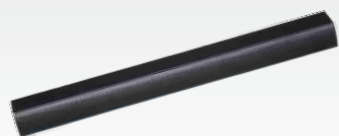
PHA-4

Power Handling: 48 watts max
Frequency Response: 120Hz - 20kHz
Sensitivity: 83dB @ 1W/1m
Impedance: 4-ohm
Dimensions (HxWxD): 9" x 2" x 2"
Weight: 1lbs.
Finish: black or white



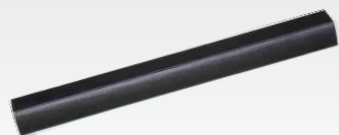
PHA-8

Power Handling: 96 watts max
Frequency Response: 120Hz - 20kHz
Sensitivity: 87dB @ 1W/1m
Impedance: 4-ohm
Dimensions (HxWxD): 18-1/2" x 2" x 2"
Weight: 1.5 lbs.
Finish: black



PHA-264

Power Handling: 48 watts max
Frequency Response: 120Hz - 20kHz
Sensitivity: 83dB @ 1W/1m
Impedance: 4-ohm
Dimensions (HxWxD): 26 1/8" x 2" x 2"
Weight: 6 lbs.
Finish: black



PHA-16

Power Handling: 192 watts max
Frequency Response: 120Hz - 20kHz
Sensitivity: 89dB @ 1W/1m
Impedance: 4-ohm
Dimensions (HxWxD): 25" x 2" x 2"
Weight: 2.25 lbs.
Finish: black, white or silver



PHA-25

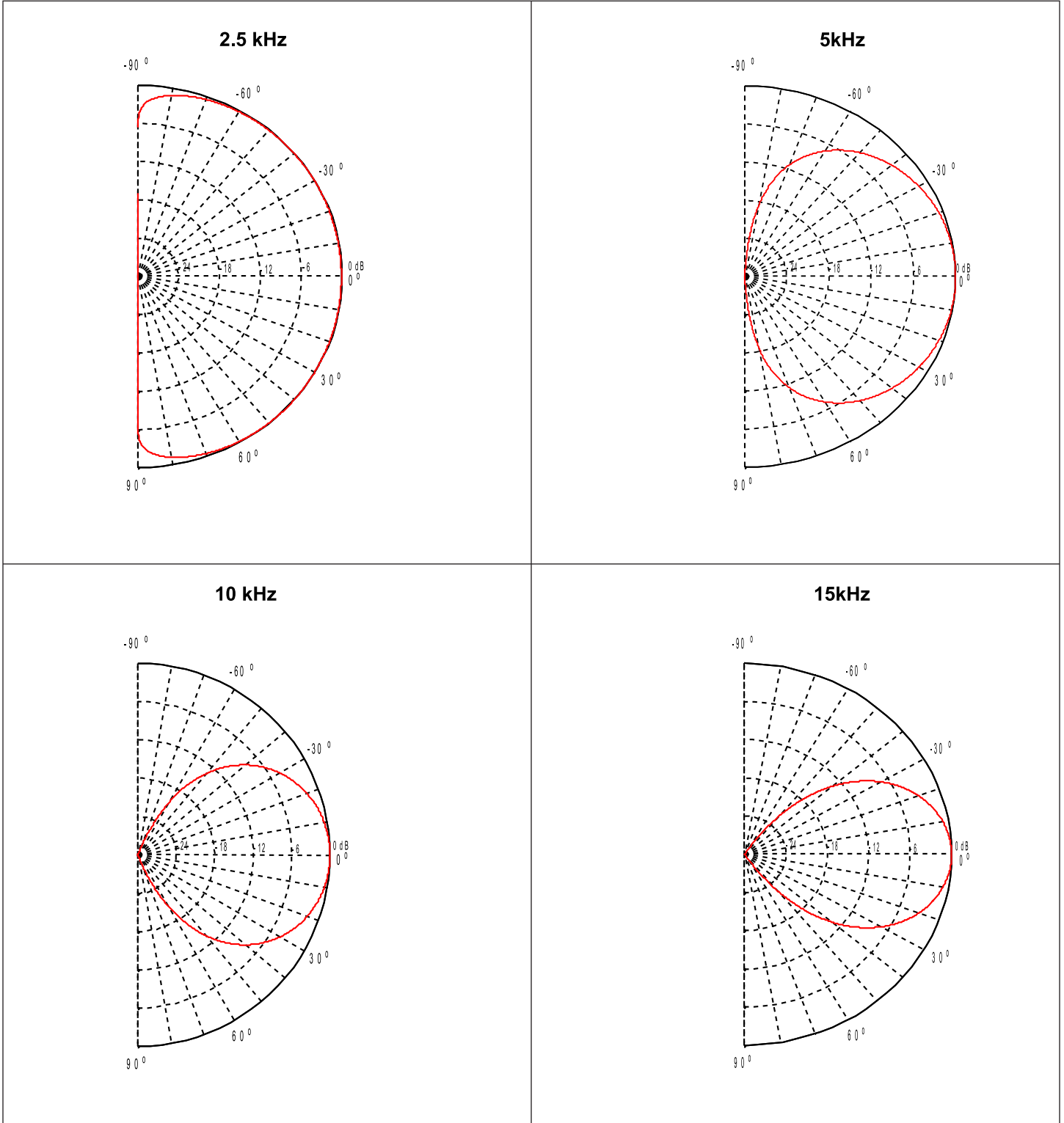
Power Handling: 288 watts max
Frequency Response: 120Hz - 20kHz
Sensitivity: 89dB @ 1W/1m
Impedance: 4-ohm
Dimensions (HxWxD): 42" x 2" x 2"
Weight: 6 lbs.
Finish: black or white



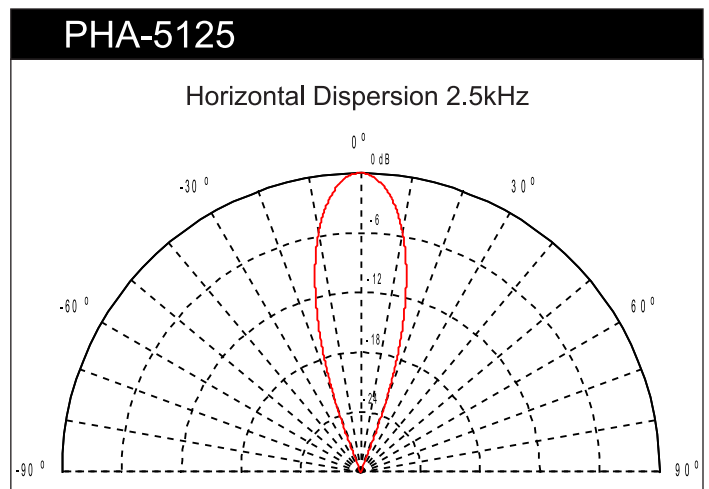
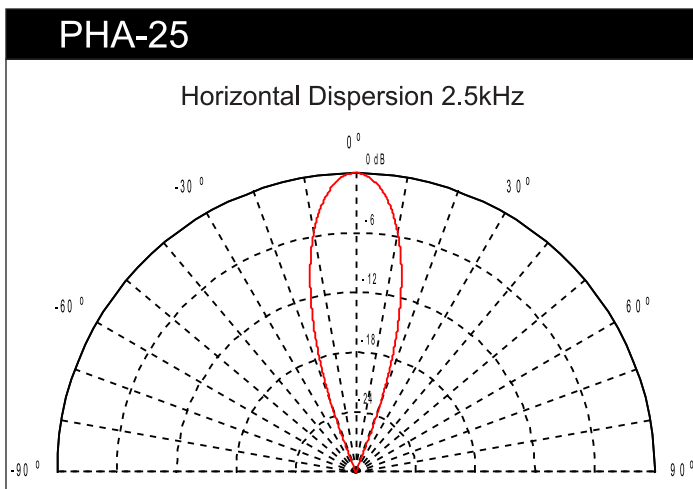
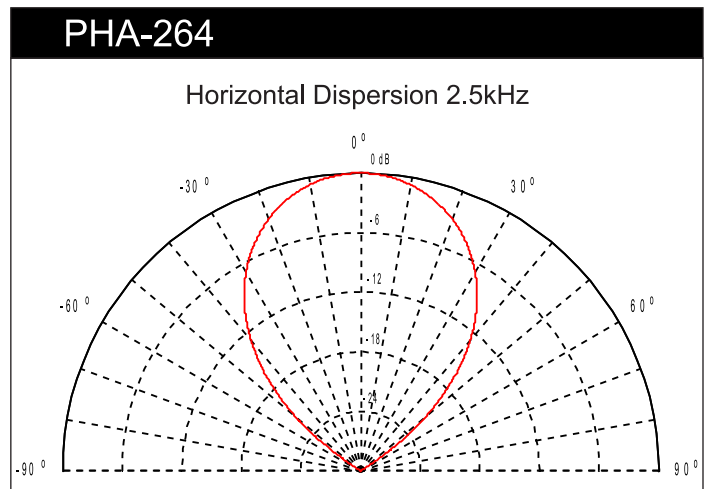
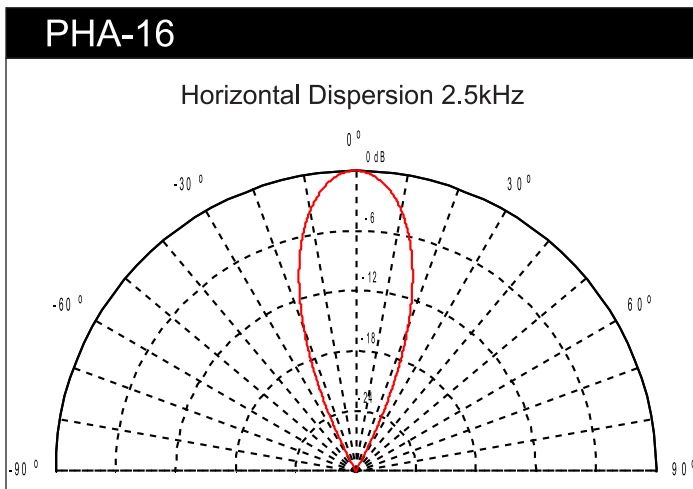
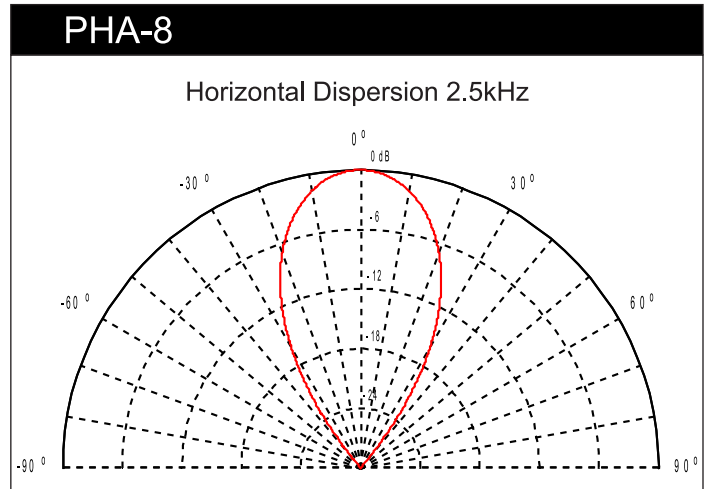
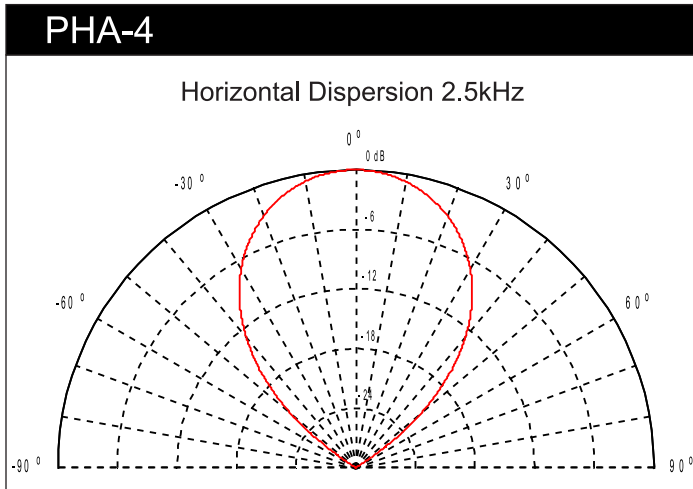
PHA-5125

Power Handling: 288 watts max
Frequency Response: 120Hz - 20kHz
Sensitivity: 89dB @ 1W/1m
Impedance: 4-ohm
Dimensions (HxWxD): 51 9/16" x 2" x 2"
Weight: 6 lbs.
Finish: black

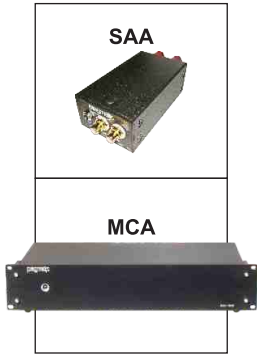
Horizontal Sound Dispersion PHA speaker mounted as vertical column



Horizontal Sound Dispersion @ 2.5kHz when PHA speaker mounted horizontal



Additional Pragmatic Products to Use in Conjunction With PHA Speakers



Amplification

HideAway™ Series

SAA-212 (stereo, class A/B, 2x12 watts)
 SAA-224 (stereo, class D, 2x24 watts)
 SAA-212 (stereo, class D, 2x36 watts)
 SAA-212 (stereo, class D, 2x48 watts)
 MBA-120 (mono block, class A/B, 1x20 watts)
 MBA-124 (mono block, class D, 1x24 watts)
 MBA-136 (mono block, class D, 1x36 watts)
 MBA-148 (mono block, class D, 1x48 watts)

Multi-channel

MCA-12 (class D, 12x48 watts)

Source Products

MuSe

Hard disk based music server with up to 4-channels out-put and elaborate scheduler

Digital Video Server

No restricted easy to use video server for digital signage applications

Tuners

Digital and analog



A/V Distribution Over CAT5

CATS™HDMI

CATS-HDMI-MX8
 (8 inputs & 8 outputs over 2 CAT5 cables)
 CATS-HDMI-MX4
 (4 inputs & 4 outputs over 2 CAT5 cables)

CATS-VGA

CATS-VGA-16B
 (1 input & 16 outputs over 1 CAT5 cable)
 CATS-VGA-12B
 (1 input & 12 outputs over 1 CAT5 cable)

TPAIVR

Line-level stereo audio and video signals transmitted and received using simple twisted-pair wires

DAVES

Distributes audio/video signals to 4 listening areas using only a single CAT5 cable and each zone can select any source

Control

Control-9

Octal serial port hub for management of automation systems



Security

LSAD-1

Life Safety Audio Defeat - for audio override in case of emergencies

Cameras

- In-wall
- Wireless
- Dome
- Color or B/W



Custom Commercial Displays

- Digital Signage
- Corporate
- Healthcare
- Hospitality
- Detention facilities



Audio Distribution Over CAT5

PADS

whole house audio distribution on category 5 with door-bell and paging integration options

TPA

Line-level stereo audio signals transmitted and received using simple twisted-pair wires

DMS

complete multi-source, multi-zone music distribution system with control on a single CAT5 wire

www.Pragmatic1.com

2340A Walsh Avenue, Santa Clara, CA 95051 | Ph: 408-748-1100, Fax: 408-663-9783 | Email: sales@wireless-experts.com
 Copyright © 1994- 2012. All rights reserved.